



Fagerdala Global Packaging Group

"Fagerdala Makes the World Lighter"

Recycling Strategies

- End of life focus – Waste stream
- Supply chain focus – Starts with procurement
- Design focus – Innovation



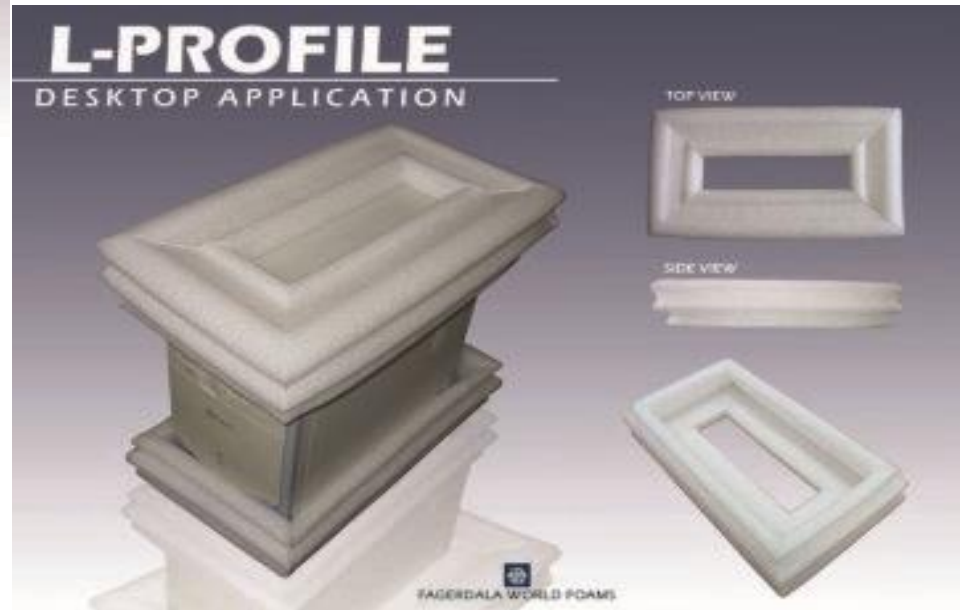
End Of Life - Recycling



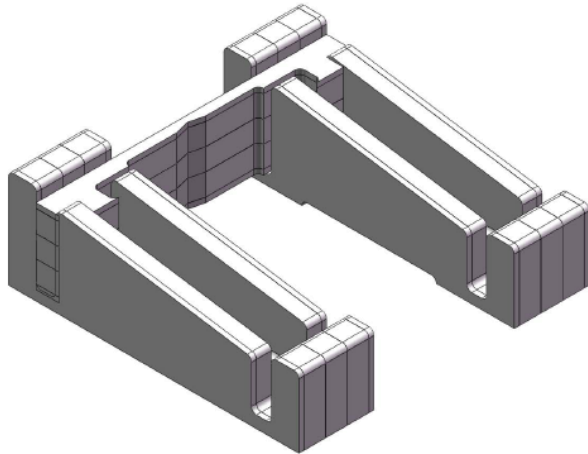
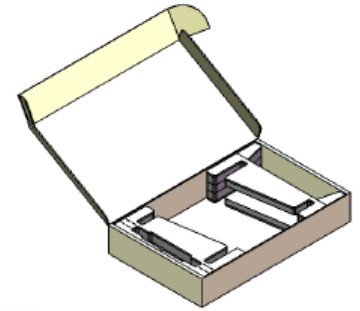
Supply Chain – Buying Recycled



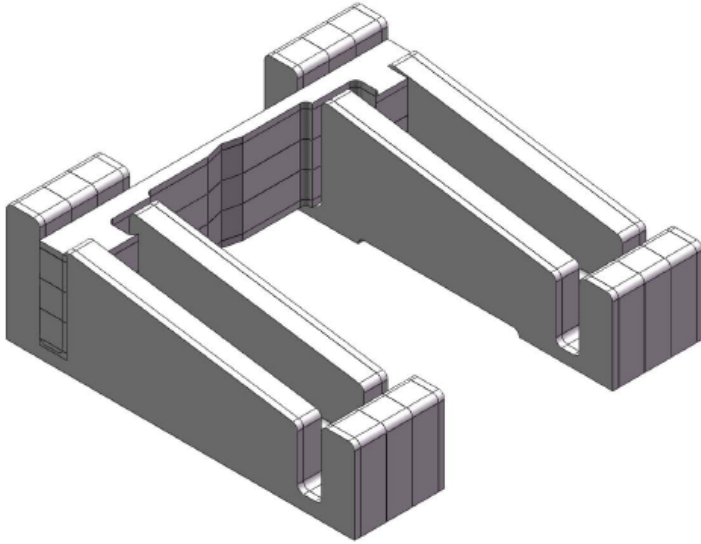
Design Innovation – Material Reduction



Design Innovation – Second Life



Ideally, All Three



Contact

Ryan Franz

317-902-4978

r-franz@fagerdala-packaging.com

